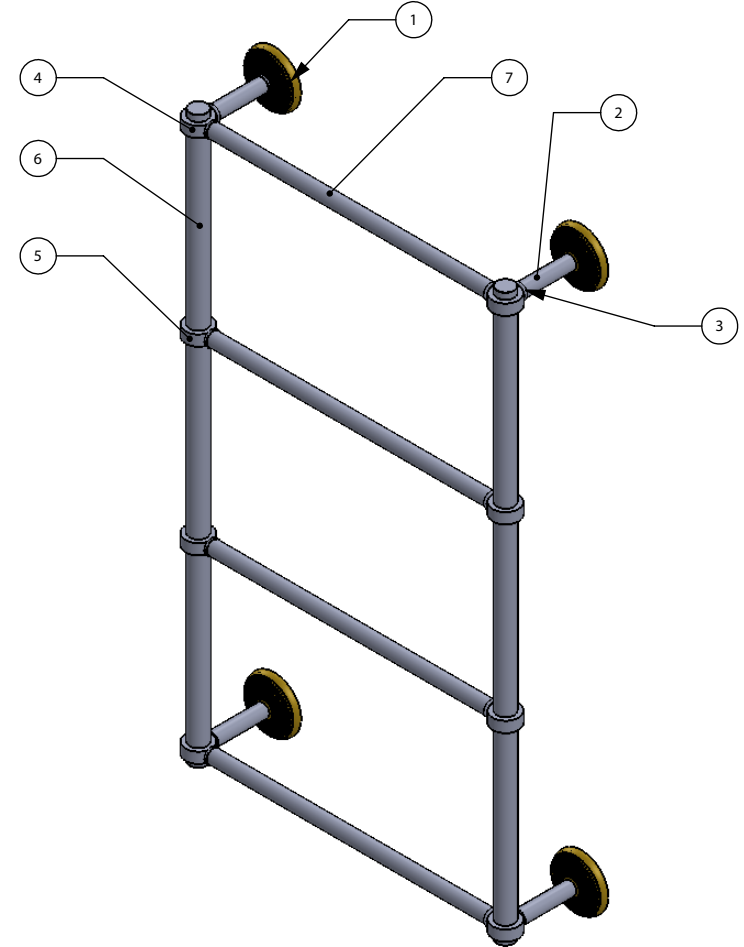


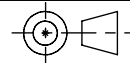
ITEM NO.	P/N	Description	QTY.
1	BPMC	BACKPLATE	4
2	TU34-3	POST	4
3	CRRD-34	CHECK RING	20
4	RGSMD	HUB	4
5	RGSMT	HUB	4
6	TU1-10	TUBE	6
7	TU34-24,30,36	BAR	4



UNLESS OTHERWISE STATED

.X	$\pm .3\text{mm}$
.XX	$\pm .15\text{mm}$
.XXX	$\pm .008\text{mm}$

COPYRIGHT © Allied Brass 2018



THIRD ANGLE PROJECTION

APPROVED FOR PRODUCTION

BY: RICHARD PAUL
DATE: 01/05/2018

DRAWN	01-05-18	I.M
CHECKED	01-05-18	P.D
APPROVED	01-05-18	R.A

MATERIAL: BRASS
DESCRIPTION: Monte Carlo Collection
4 Tier Ladder Towel Bar



FINISH	TBD
QUANTITY	TBD
DRAWING No.	REV
MC-28	0
SCALE	1:8 SHEET: 01 A4